



MLGH ^{Swk}

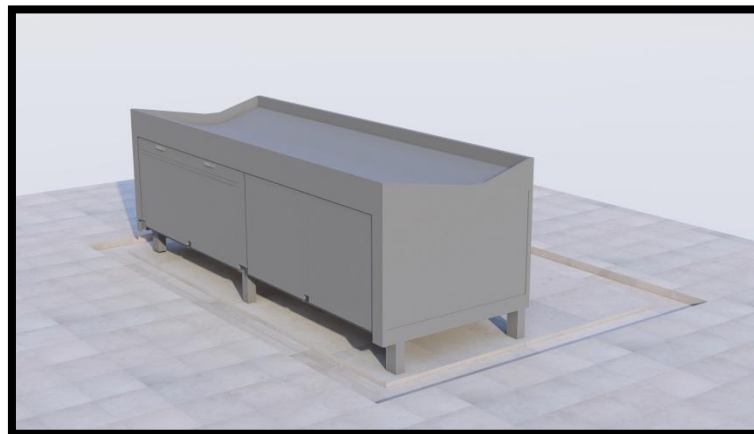
**KEMENTERIAN KERAJAAN TEMPATAN
DAN
PERUMAHAN SARAWAK**

KEY FOCUS ACTIVITIES (KFA)

**REKA BENTUK STANDARD
UNTUK
PIHAK BERKUASA TEMPATAN SARAWAK**



1.1 FISHMONGER TABLE



ANGGARAN KOS

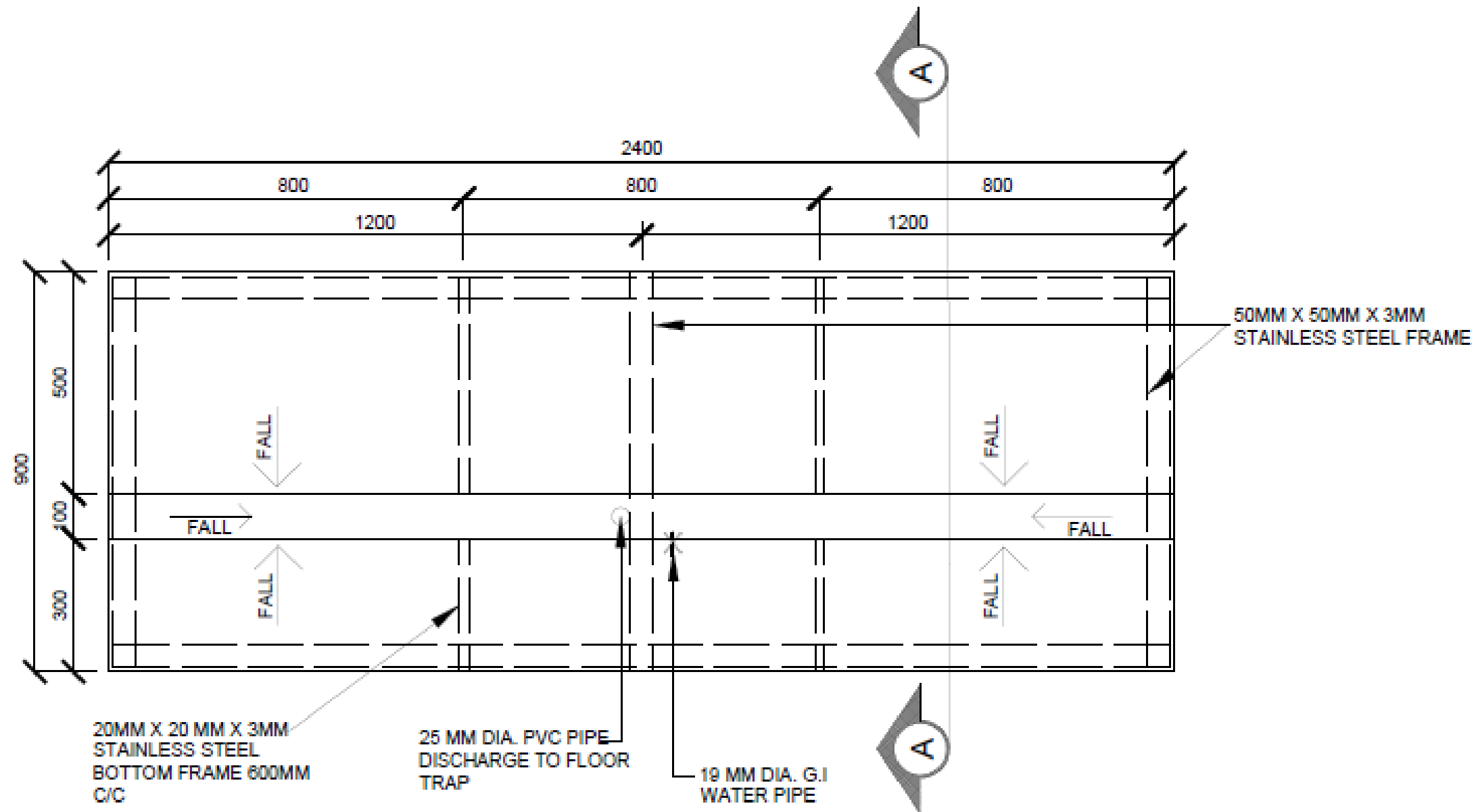
RM 7,775.00

Gambar 1: Fishmonger Table



LUKISAN TERPERINCI DAN ANGGARAN KOS

LAYOUT PLAN

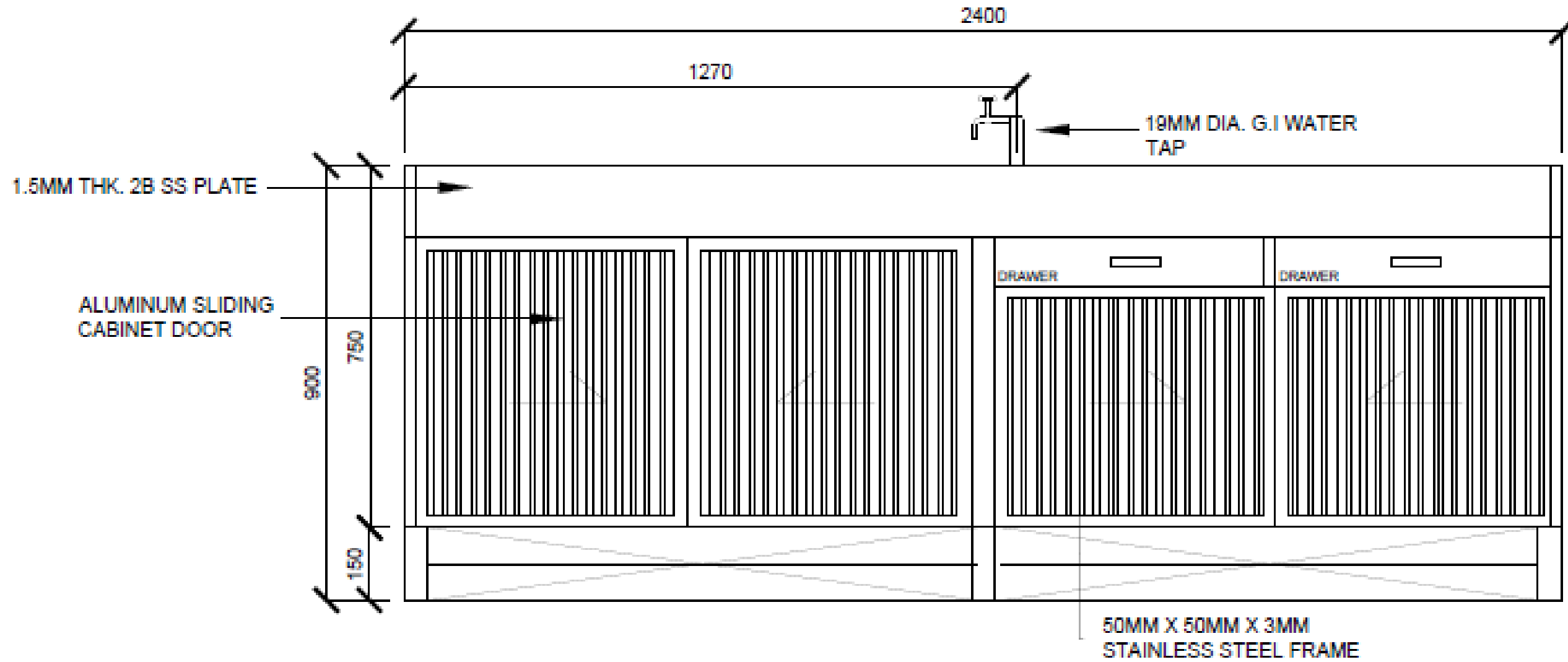


PLAN VIEW

SCALE 1:10



REAR ELEVATION

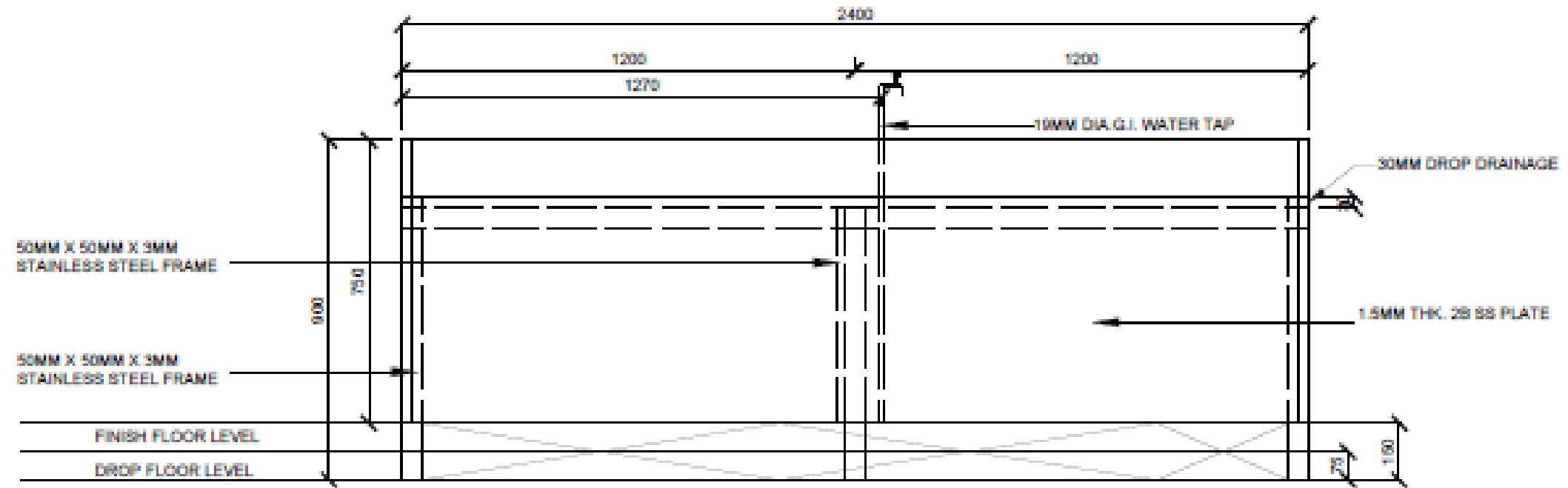


REAR VIEW

SCALE 1:10



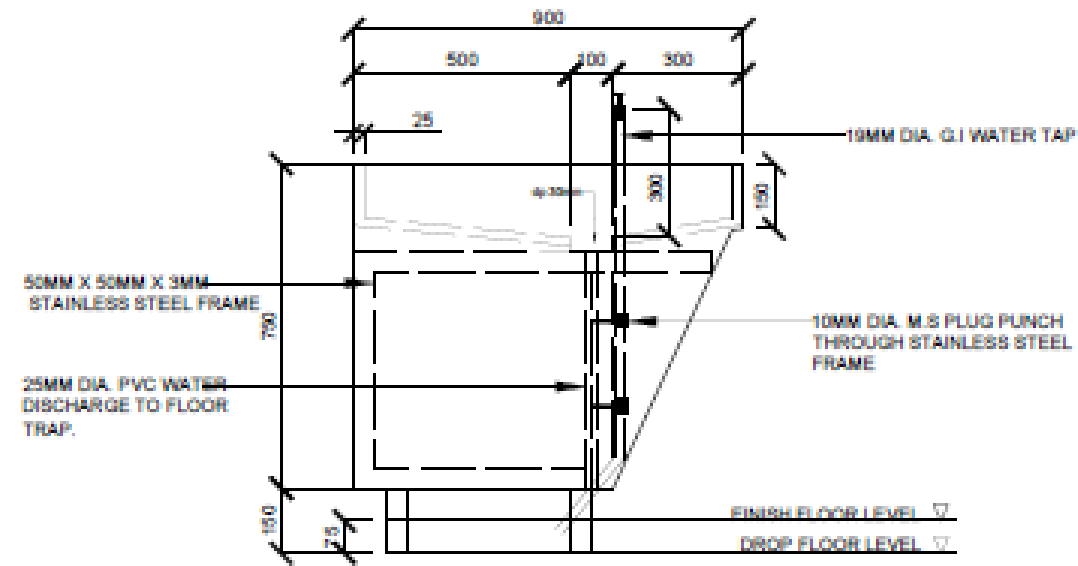
FRONT ELEVATION



FRONT VIEW

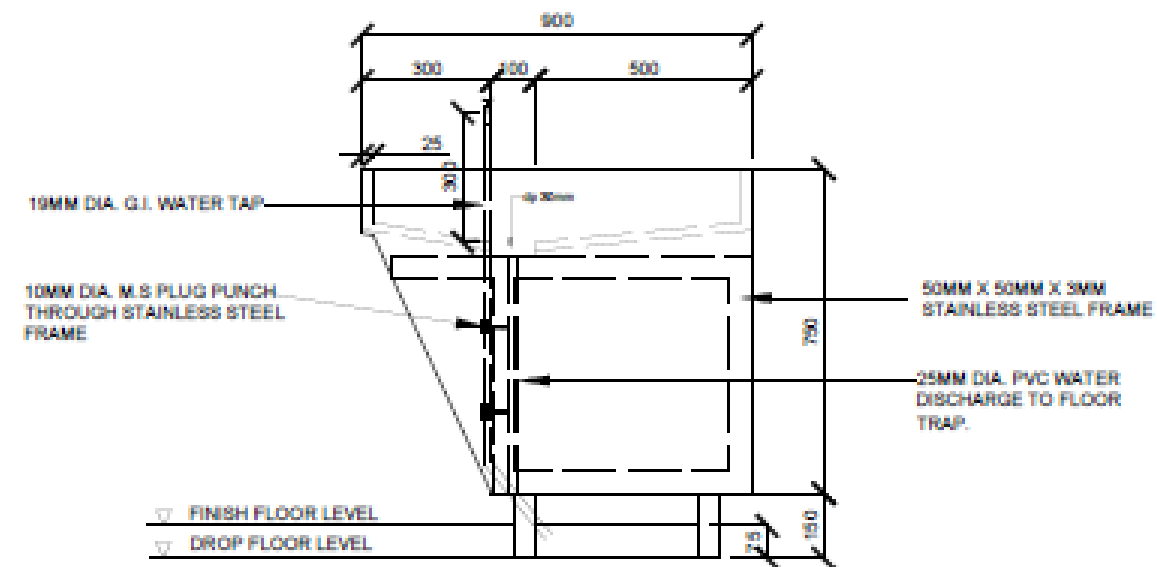
SCALE 1:15

LEFT AND RIGHT ELEVATION



LEFT SIDE VIEW

SCALE 1:15

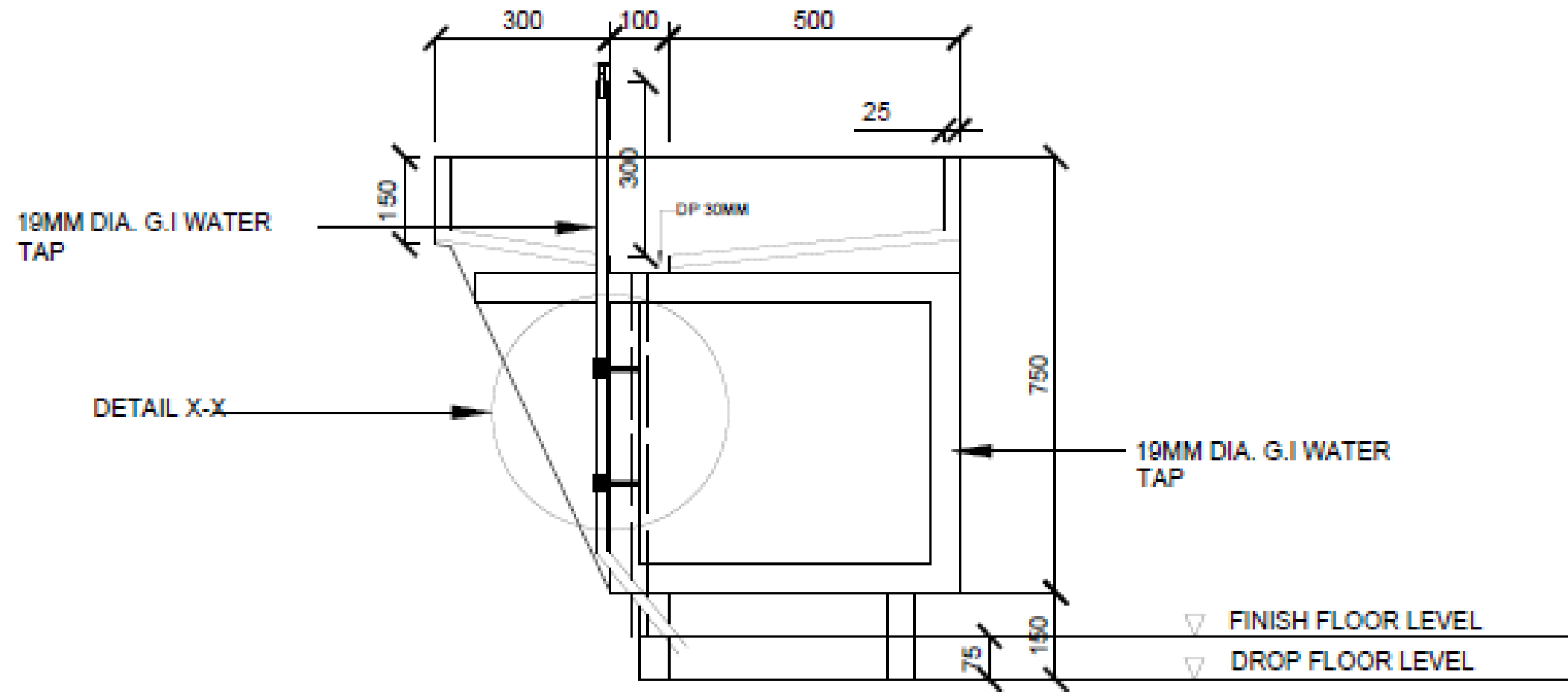


RIGHT SIDE VIEW

SCALE 1:15



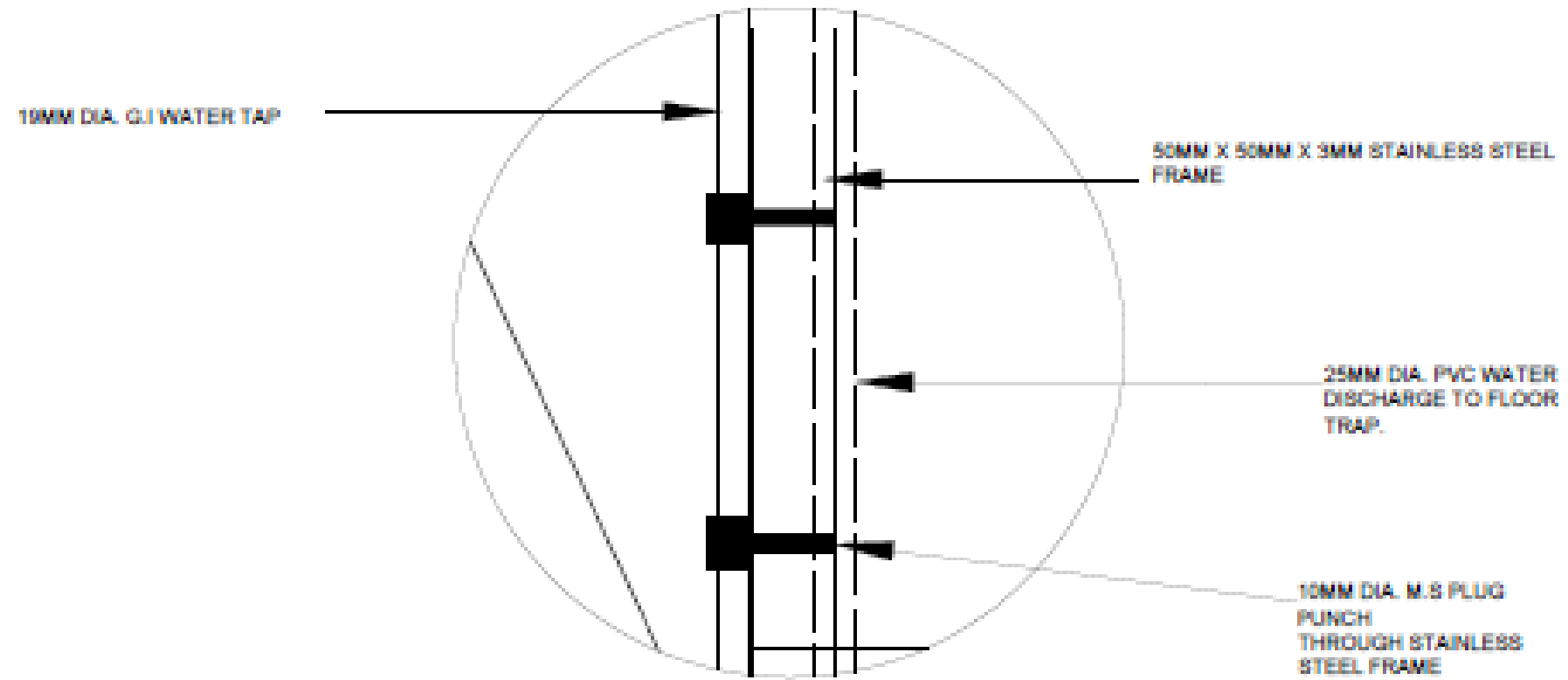
SECTION A-A



SECTION A-A

SCALE 1:10

DETAIL X



DETAILS X-X
SCALE : NOT TO SCALE



SUMMARY OF TENDER
FOR
FISHMONGER TABLE

Item	Scope of Works		Amount
1. Fishmonger Table			
a)	Supply and install 1.5mm thk 2B SS Plate, 4 x 8 ft	RM	4,580.00
b)	Supply and install 50mm x 50mm x 3mm SS Frame	RM	2,645.00
c)	10mm diameter M.S Plug Punch through SS Frame as per specified in drawing	RM	76.00
d)	Supply 2.30mm x 0.50mm Aluminium Sliding Cabinet Door manufactured as per specified in drawing	RM	432.00
e)	25mm diameter PVC Water discharge to floor trap including with socket connectors	RM	12.00
f)	19mm diameter G.I Water Tap	RM	30.00
Total		RM	7,775.00

Notes: Estimation based on site condition