



MLGH ^{Swk}

**KEMENTERIAN KERAJAAN TEMPATAN
DAN
PERUMAHAN SARAWAK**

KEY FOCUS ACTIVITIES (KFA)

**REKABENTUK STANDARD
UNTUK
PIHAK BERKUASA TEMPATAN SARAWAK**



1.1 FISHMONGER TABLE

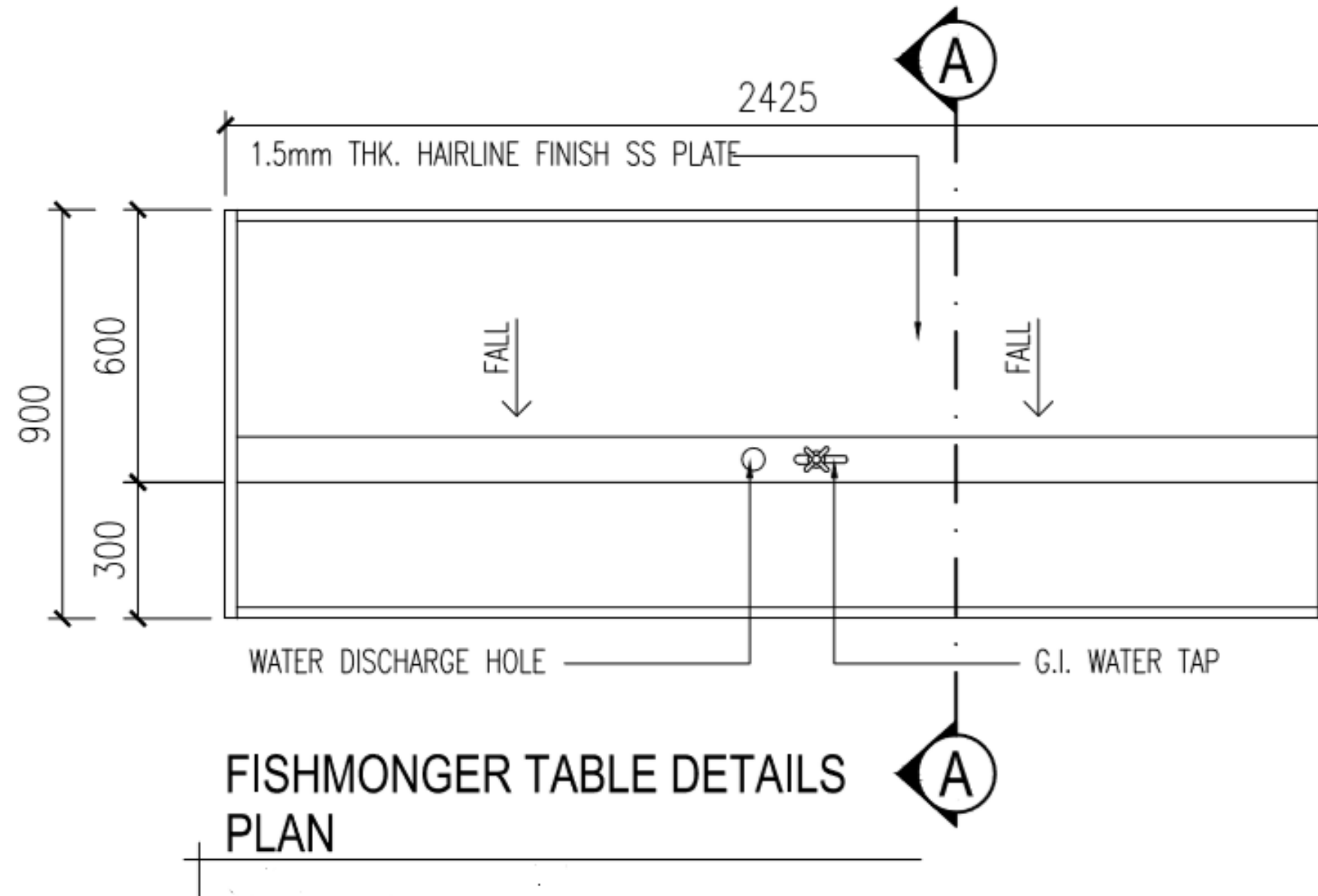


ANGGARAN KOS

RM 5,181.00

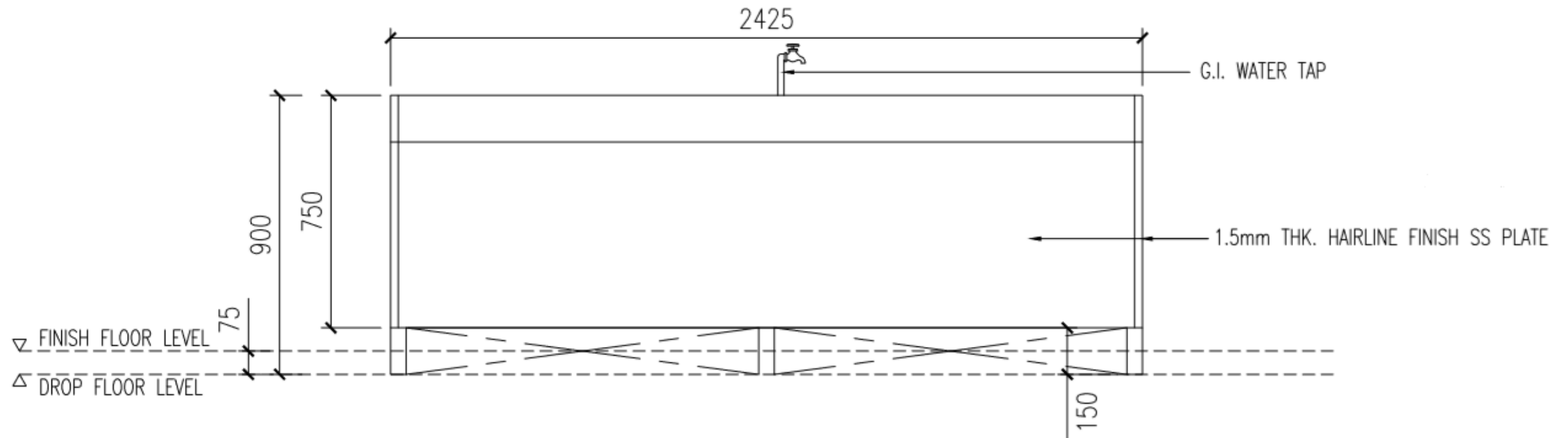


PLANS





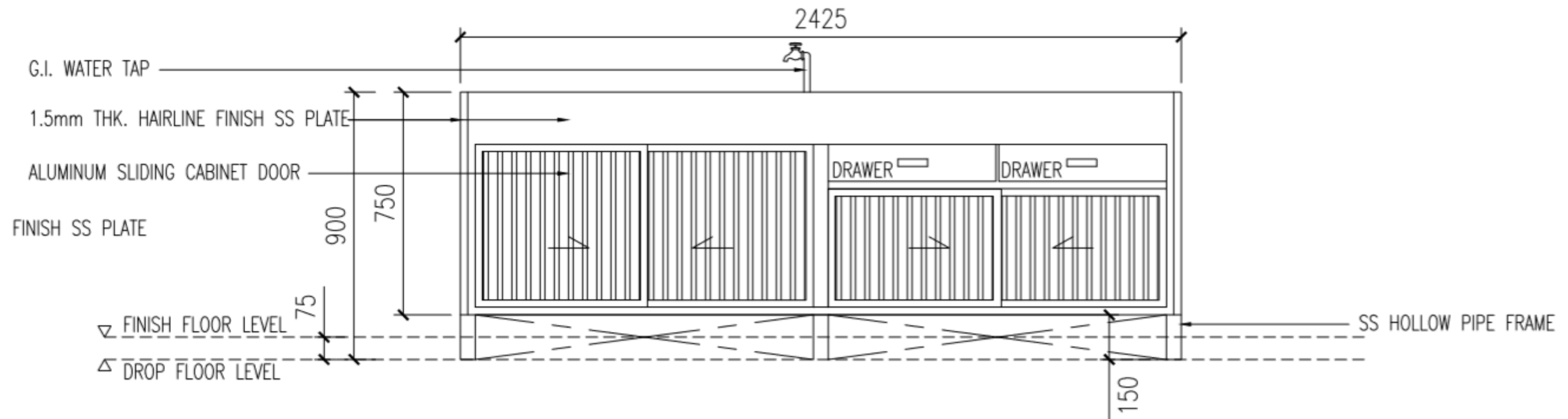
FRONT VIEW



**FISHMONGER TABLE DETAILS
FRONT VIEW**



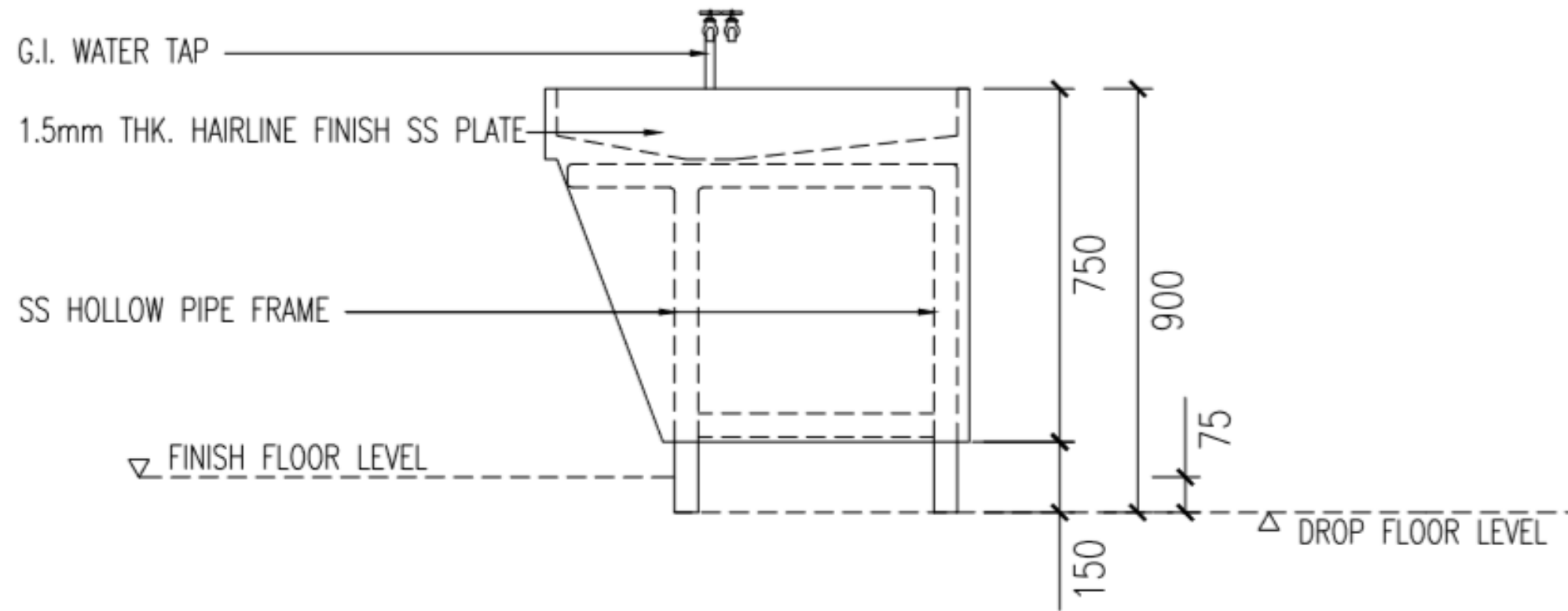
DETAILS 1



**FISHMONGER TABLE DETAILS
REAR VIEW**



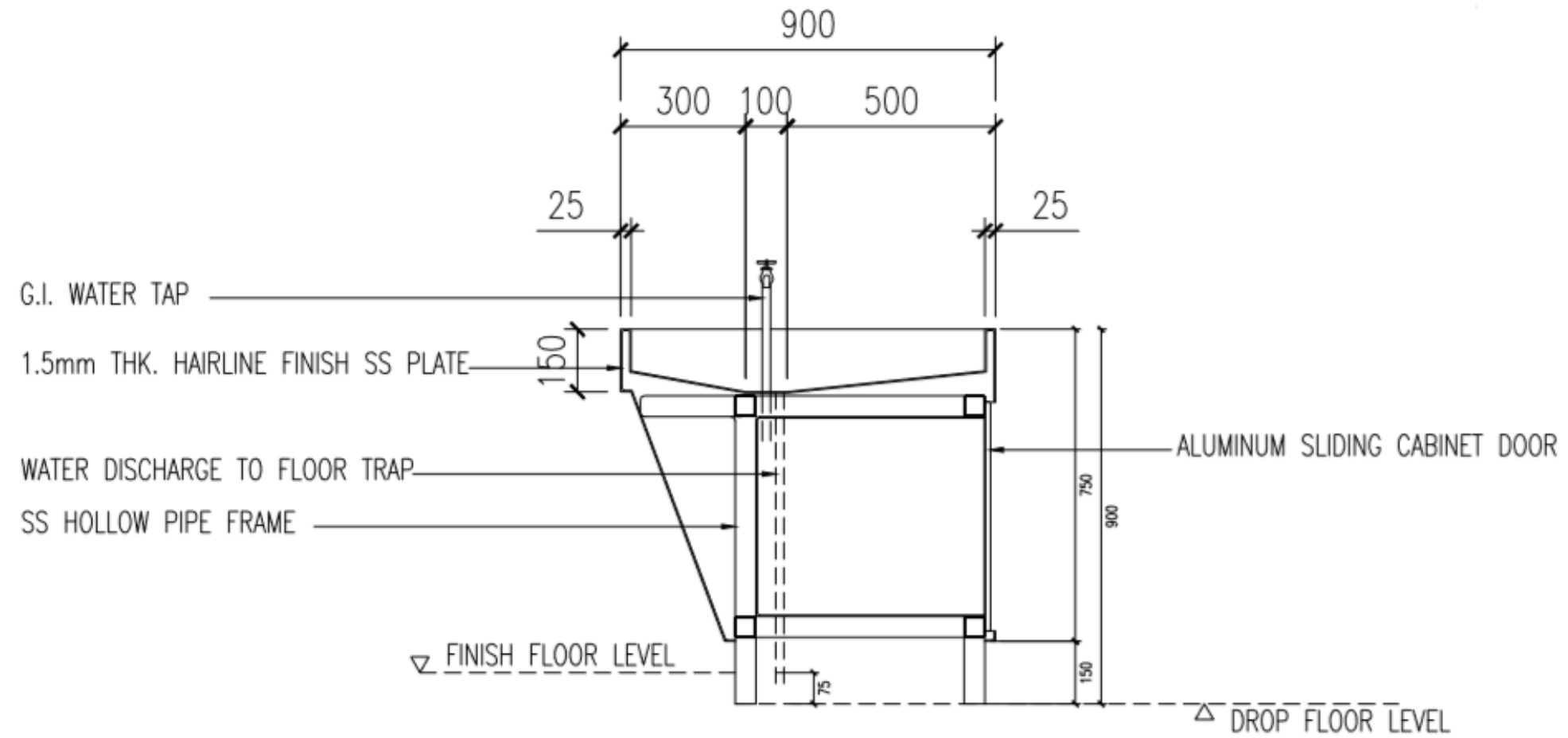
DETAILS 2



**FISHMONGER TABLE DETAILS
RIGHT VIEW**



SECTION A-A



**FISHMONGER TABLE DETAILS
SECTION A-A**



SUMMARY OF TENDER
FOR
FISHMONGER TABLE

| Item | Scope of Works | | Amount |
|-----------|---|-----------|-----------------|
| 1. | Fishmonger Table | | |
| | a) Supply 1.5mm thk 2B SS Plate, 4 x 8 ft | RM | 3,103.00 |
| | b) Supply SS Hollow Pipe Frame 1.5 inch | RM | 1,533.00 |
| | c) Supply 2.30mm x 0.50mm Aluminium Sliding Cabinet Door manufactured as per specified in drawing | RM | 288.00 |
| | d) 100mm diameter Class B UPVC jointed with socket connectors | RM | 244.00 |
| | e) Brass Stop Type Hose Tap | RM | 13.00 |
| | Fishmonger TableGrand – b/f to Grand Summary | RM | 5,181.00 |
| | Total | RM | 5,181.00 |

Notes: Estimation based on site condition